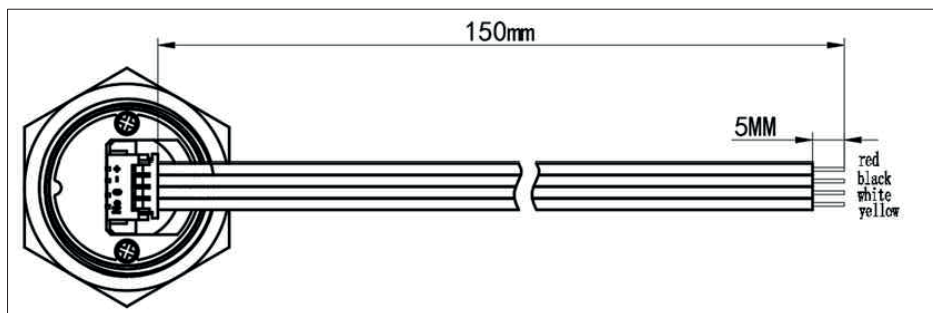
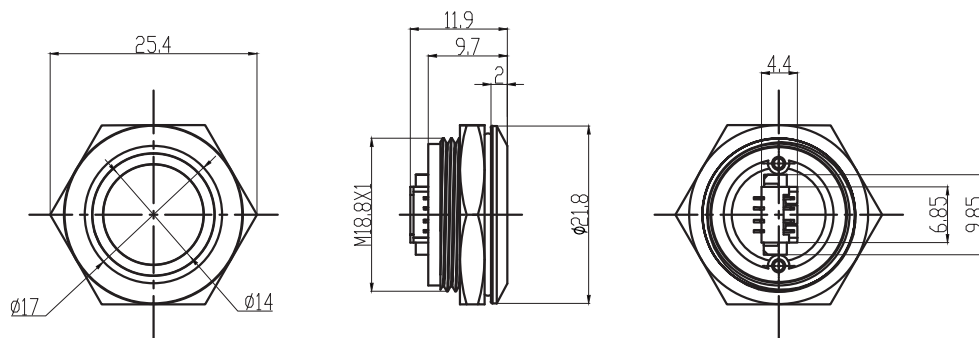
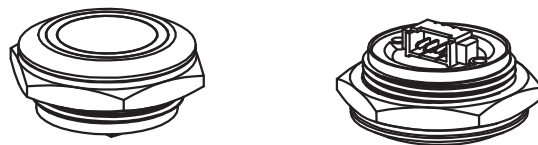




K19-TUF-X



Rating : 0.3A 24VDC
 Contact Resistance: 50m Ω MAX
 Insulation Resistance: 1G Ω min.at 500VDC
 Dielectric Strength:1000VAC rms.
 Electrical life:100, 000 operations minimum
 Operating Temperature : -40 °C ~ +70 °C .
 Operating Pressure: • 5N
 Operating Stroke:0.5 mm
 Protection Grade:IP67
 Soldering: 300 °C max.for 5 seconds
 Function:OFF(ON)

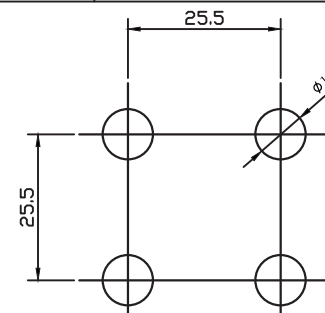
Material:

Body: Stainless Steel 304

Terminal:Wiring terminal

Button: Stainless Steel 316

Lamp Type Life	LED lamp (AC/DC)
Rated Voltage	3V 6V 12V 24V
LED Color	R G Y B W
Life	40000hours
Lamp Circuit Diagram	



Install size
